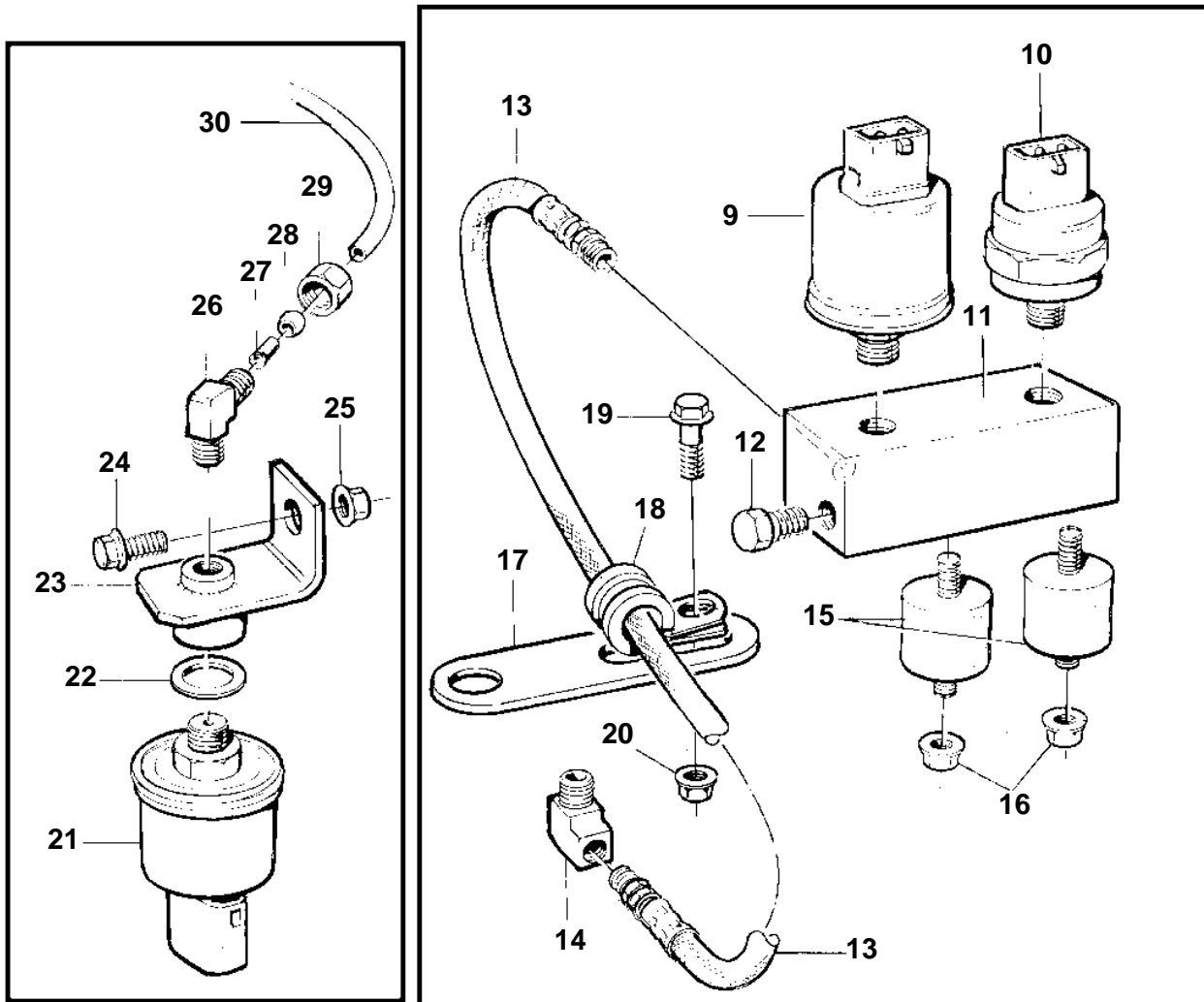
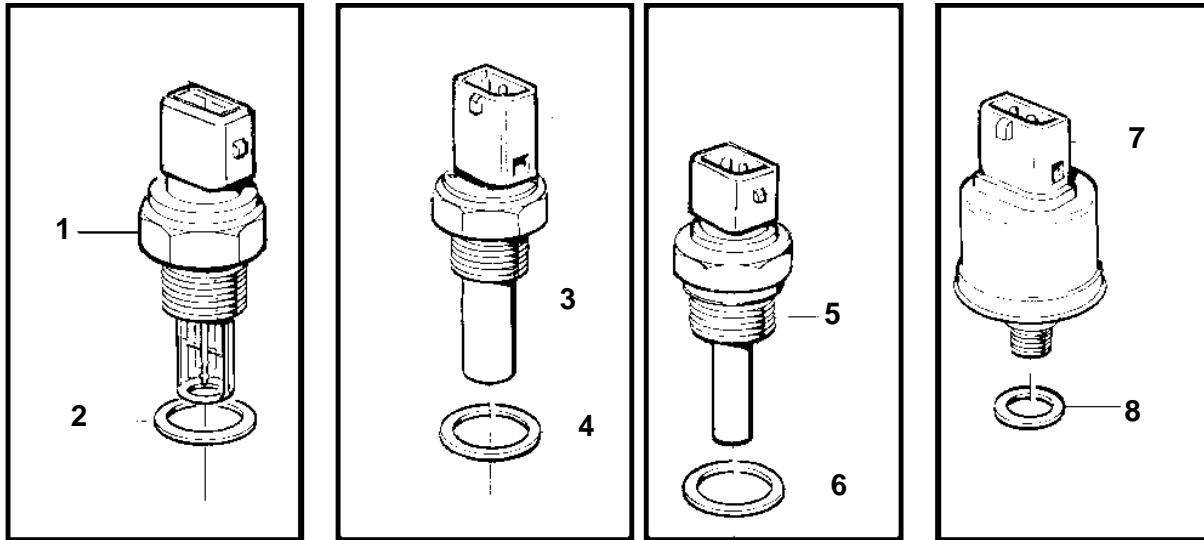


TAMD72P-A



TAMD72P-A

REF	PART NO.	QTY	DESCRIPTION	NOTES
1	8141474	1	Temperature sensor, air inlet	
2	947624	2	Gasket	
3	1624368	1	Temperature sensor, coolant water	M16. For EDC unit.
4	947622	1	Gasket	
5	862154	1	Temperature sensor, coolant water	12/24V, 120°C, M18. For singel instrument.
	862567	1	Temperature sensor, coolant water	12/24V, 120°C, M18. For double instruments.
6	11998	1	Gasket	(947624)
7	866839	1	Pressure sensor, reverse gear	0-30bar
8	947624	1	Gasket	
9	866835	1	Pressure sensor, oil-engine	0-10bar
	866836	1	Pressure sensor, oil-engine	0-10bar. For double instruments.
10	863169	1	Pressure monitor	0,7bar
11	866704	1	Bracket	
12	479979	2	Plug	
13	334175	1	Hose	
14	180110	1	Elbow nipple	
15	3574797	2	Rubber cushion	
16	949278	2	Lock nut	
17	965534	1	Bracket	
18	952627	1	Clamp	
19	946544	1	Flange screw	
20	949278	1	Lock nut	
21	866837	1	Pressure sensor, turbo	0-3bar
22	947624	1	Gasket	
23	843698	1	Bracket	
24	965175	1	Screw	
25	949278	1	Lock nut	
26	954385	1	Elbow nipple	
27	944717	1	Sleeve	
28	954364	1	Fitting	
29	954356	1	Cap nut	
30	945460	1	Plastic pipe	L=500mm